

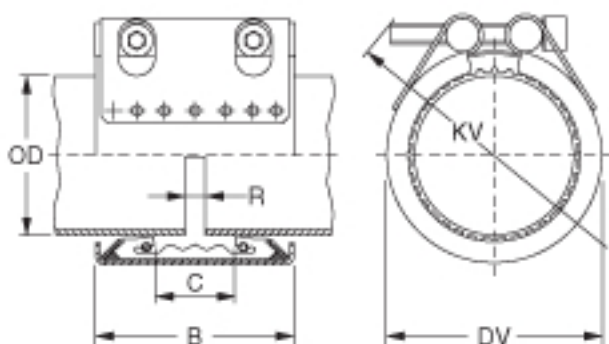


STRAUB-METAL GRIP COUPLING



For IPS Outside Diameter Pipe

Axial-Restraint Pipe Coupling



STRAUB-METAL GRIP

Nominal IPS	PIPE OUTSIDE DIAMETER		Working Pressure	Agency Approved Pressure*	COUPLING DIMENSIONS		ASSEMBLED DIMENSIONS		MAXIMUM DISTANCE BETWEEN PIPE ENDS (Rmax.)		Torque Rate	Approx. Weight Each
	Actual	OD Range +/-			B	C	DV	KV	Without Strip insert	With Strip insert		
Inches	In./mm	In./mm	psi/bar	psi/bar	In./mm	In./mm	In./mm	In./mm	In./mm	In./mm	Ft./lbs./In	Lbs./kg
1	1.315 33.7	1.31 - 1.35 33.2 - 34.2	900 62.1	232 16.0	2.6 66	0.7 18	1.7 43	2.6 66	0.2 5	0.6 15	7.5 10	0.7 0.3
1 1/4	1.660 42.4	1.65 - 1.69 41.9 - 42.9	770 53.1	232 16.0	2.4 61	0.8 20	2.4 61	3.5 89	0.2 5	0.6 15	11 15	1.1 0.5
1 1/2	1.900 48.3	1.88 - 1.92 47.7 - 48.7	640 44.1	232 16.0	2.4 61	0.8 20	2.7 69	3.7 94	0.2 5	0.6 15	11 15	1.1 0.5
2	2.375 60.3	2.35 - 2.40 59.6 - 60.9	540 37.2	232 16.0	3 76	1.5 38	3.2 81	4.3 109	0.4 10	1.0 25	15 20	1.7 0.8
3	3.500 89.9	3.46 - 3.54 87.8 - 89.9	540 37.2	232 16.0	3.7 94	1.5 38	4.6 117	5.7 145	0.4 10	1.0 25	26 35	3.2 1.5
4	4.500 114.3	4.46 - 4.54 113.2 - 115.3	490 33.8	232 16.0	3.7 94	1.5 38	5.5 140	6.5 165	0.4 10	1.0 25	26 35	3.8 1.7
5	5.500 139.7	5.44 - 5.56 138.7 - 141.2	470 32.4	232 16.0	4.3 109	1.7 43	6.6 168	7.9 201	0.6 15	1.4 36	45 60	7.8 3.5
6	6.625 168.3	6.56 - 6.69 165.6 - 169.9	420 28.8	232 16.0	4.3 109	1.7 43	7.9 201	9.1 231	0.6 15	1.4 36	45 60	8.8 4.0
8	8.625 219.1	8.54 - 8.71 216.9 - 221.2	380 26.2	232 16.0	5.9 150	2.4 61	10.2 259	11.6 295	0.6 15	1.4 36	75 100	20.6 9.4
10	10.750 273.0	10.65 - 10.85 270.5 - 275.5	300 20.7	174 12.0	5.8 147	2.6 66	12.5 318	14.6 371	0.6 15	1.4 36	135 180	33.5 15.2
12	12.750 323.9	12.62 - 12.87 320.5 - 326.8	250 17.2	145 10.0	5.8 147	2.6 66	14.5 368	16.5 419	0.6 15	1.4 36	170 230	37.8 17.2
14	14.000 355.6	13.86 - 14.13 352.0 - 358.9	250 17.2	116 8.0	5.8 147	2.6 66	15.8 401	17.7 450	0.6 15	1.4 36	170 230	40.3 18.3
16	16.000 406.4	15.85 - 16.16 402.5 - 410.4	200 13.8	116 8.0	5.8 147	2.6 66	17.8 452	19.7 500	0.6 15	1.4 36	170 230	54.3 24.7
18	18.000 457.2	17.81 - 18.19 452.3 - 462.0	120 8.3	94 6.4	5.8 147	2.6 66	20 508	22 559	0.6 15	1.4 36	185 250	59.4 27.0
20	20.000 508.0	19.80 - 20.20 502.9 - 513.0	90 6.2	80 5.5	5.8 147	2.6 66	22 559	24 610	0.6 15	1.4 36	185 250	64.2 29.2
24	24.000 609.6	23.80 - 24.19 604.5 - 614.4	70 4.9	65 4.4	5.8 147	2.6 66	26 660	28 711	0.6 15	1.4 36	221 300	74.2 33.7

*Agency approved pressures are for applications that require authorization of Classification Societies, such as Marine Approval Bodies.

1" - 8": W2 or W4
10" - 24": W1 only



All STRAUB couplings require the correct use of a torque wrench for a safe and proper installation. STRAUB couplings must be torqued to the specified value as printed on each individual coupling. Failure to do so can result in injury or death.