

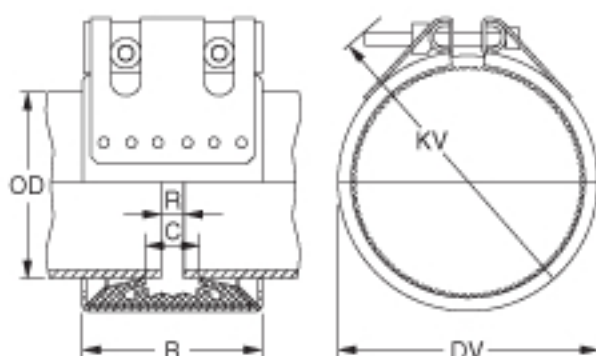


STRAUB-GRIP-L COUPLING



For IPS Outside Diameter Pipe

Axial-Restraint Pipe Coupling



STRAUB-GRIP L

Nominal IPS	PIPE OUTSIDE DIAMETER		Working Pressure	Agency Approved Pressure*	COUPLING DIMENSIONS		ASSEMBLED DIMENSIONS		MAXIMUM DISTANCE BETWEEN PIPE ENDS (Rmax.)		Torque Rate	Approx. Weight Each
	Actual	OD Range			B	C	DV	KV	Without Strip insert	With Strip insert		
Inches	In./mm	In./mm	psi/bar	psi/bar	In./mm	In./mm	In./mm	In./mm	In./mm	In./mm	Ft./lbs./Nm	Lbs./kg
3/4	1.050	1.04 - 1.08	670	232	1.8	0.7	1.7	2.8	0.2	0.4	5.5	0.4
	26.9	26.4 - 27.4	46	16.0	46	18	43	71	5	10	7.5	0.2
1	1.315	1.31 - 1.35	550	232	1.8	0.7	2	3	0.2	0.4	5.5	0.4
	33.7	33.2 - 34.2	38	16.0	46	18	51	76	5	10	7.5	0.2
1 1/4	1.660	1.65 - 1.69	400	232	2.4	1	2.4	3.7	0.2	0.4	11	0.8
	42.4	41.9 - 42.9	30	16.0	61	25	61	94	5	10	15	0.4
1 1/2	1.900	1.88 - 1.92	440	232	2.4	1	2.6	3.9	0.2	0.4	11	0.9
	48.3	47.7 - 48.7	30	16.0	61	25	66	99	5	10	15	0.4
2	2.375	2.35 - 2.40	320	232	3	1.5	3.1	4.3	0.4	0.6	11	1.2
	60.3	59.6 - 60.9	22	16.0	76	38	79	109	10	15	15	0.5
2 1/2	2.875	2.85 - 2.90	450	232	3.7	1.6	3.9	5.3	0.4	0.6	15	2.7
	73.0	72.3 - 73.6	31	16.0	94	41	99	135	10	15	20	1.2
3	3.500	2.96 - 3.03	450	232	3.7	1.6	4.4	5.9	0.4	1.0	15	2.6
	88.9	75.1 - 76.9	31	16.0	94	41	112	150	10	25	20	1.2
3 1/2	4.000	3.96 - 4.04	320	232	3.7	1.4	5.1	6.3	0.6	0.6	18	3.3
	101.6	100.5 - 102.6	22	16.0	94	36	130	160	15	15	25	1.5
4	4.500	4.46 - 4.54	232	232	3.7	1.6	5.4	6.7	0.4	1	18	3.2
	114.3	113.2 - 115.3	16	16.0	94	41	137	170	10	25	25	1.5
5	5.500	5.51 - 5.62	232	232	4.3	2.1	6.5	8.3	0.4	1.4	30	5.7
	139.7	139.9 - 142.7	16	16.0	109	53	165	217	10	36	40	2.6
6	6.625	6.56 - 6.69	232	188	4.3	2.1	7.6	9.1	0.4	1.4	30	6.4
	168.3	166.6 - 169.9	16	13.0	109	53	199	237	10	36	40	2.9
8	8.625	8.54 - 8.71	232	145	5.6	3.1	9.8	11.6	0.4	1.4	45	13.0
	219.1	216.9 - 221.2	16	10.0	142	79	249	295	10	36	60	5.9
10	10.750	10.65 - 10.85	100	67	5.5	3.1	11.9	13	0.4	1.4	37	12.7
	273.0	270.5 - 275.5	7	4.6	140	79	302	330	10	36	50	5.8
12	12.750	12.62 - 12.87	70	52	5.5	3.1	13.9	15	0.4	1.4	52	14.3
	323.9	320.5 - 326.8	5	3.6	140	79	353	387	10	36	70	6.5
14	14.000	13.96 - 14.13	60	45	5.5	3.1	15.2	16.3	0.4	1.4	52	15.4
	355.6	352.0 - 358.9	4	3.1	140	79	386	414	10	36	70	7.0
16	16.000	15.85 - 16.16	45	35	5.5	3.1	17.1	18.3	0.4	1.4	52	16.9
	406.4	402.5 - 410.4	3	2.4	140	79	434	465	10	36	70	7.7
18	18.00	17.81 - 18.17	30	5.5	3.1	19.2	20.5	0.4	1.4	52	18.5	
	457.2	452.3 - 461.5	2.0	140	79	488	527	10	36	70	8.4	
20	20.00	19.82 - 20.18	30	5.5	3.1	21.2	22.4	0.4	1.4	52	20.2	
	508.0	503.4 - 512.5	2.0	140	79	538	589	10	36	70	9.2	
22	22.00	21.83 - 22.19	30	5.5	3.1	23.2	24.4	0.4	1.4	52	21.8	
	559.8	554.4 - 563.6	2.0	140	79	589	620	10	36	70	21.8	
24	24.00	23.82 - 24.17	15	5.5	3.1	25.2	26.4	0.4	1.4	52	23.3	
	609.6	605.0 - 613.9	1.0	140	79	640	671	10	36	70	10.6	

*Agency approved pressures are for applications that require authorization of Classification Societies, such as Marine Approval Bodies.

3/4" - 8": W5 only
10" - 24": W2 or W5

! All STRAUB couplings require the correct use of a torque wrench for a safe and proper installation. STRAUB couplings must be torqued to the specified value as printed on each individual coupling. Failure to do so can result in injury or death.